

# BEOLAB 17

A stylish and surprisingly  
powerful wireless loudspeaker



## VERSATILE BEAUTY

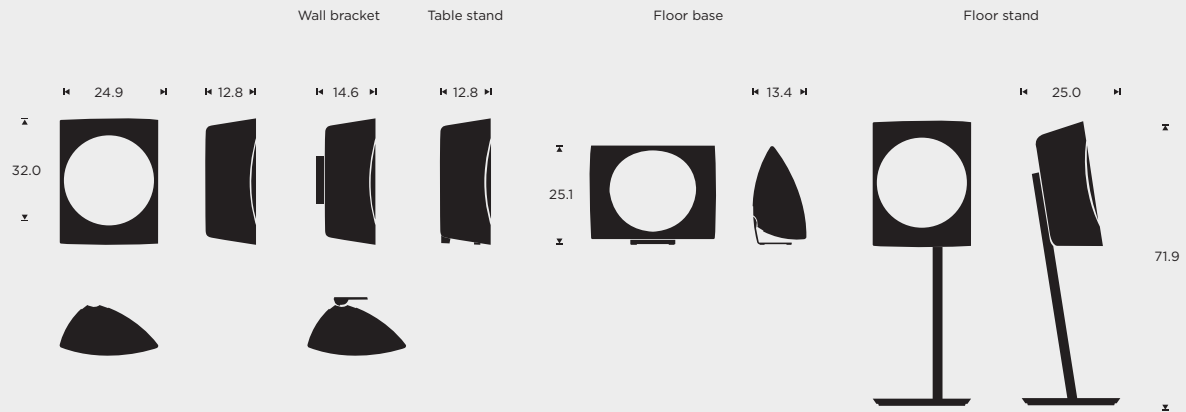
BeoLab 17 is a solid, impressive loudspeaker with powerful sound that punches way beyond its actual size. Its tight, striking geometry exudes character with myriad expressions. Featuring Immaculate Wireless Sound, BeoLab 17 enables you to enjoy wireless music in unsurpassed detail - while giving you freedom and flexibility to open up exciting new options for your home décor.

**BANG & OLUFSEN**


## MEASUREMENTS

in cm

[bang-olufsen.com/beolab17](http://bang-olufsen.com/beolab17)



## SPECIFICATIONS

<b>Designer</b> Torsten Valeur David Lewis Designers	<b>Placement options</b> Wall bracket, table stand, floor base, floor stand	<b>Weight</b> 5.5 kg
<b>Drivers</b> 1 x 3/4" tweeter 1 x 6" woofer	<b>Amplifiers</b> 1 x 0 watt, Class D, tweeter 1 x 10 watt, Class D, subwoofer	<b>Wireless compatibility</b> BeoVision 11, BeoVision 14, BeoVision Avant, BeoSound Moment, BeoLab Transmitter 1, and any WiSA-compliant TV or AV system.
<b>Colors</b> Fabric covers		
Aluminium Cabinet: Natural, brass tone, white and black End cap: White and black Floor stand and floor base: Natural and black Wall bracket: Natural		

## FEATURES

### Adaptive Bass Linearisation (ABL)

Continuously adapts the bass response to the input signal, resulting in a significantly improved bass performance, without the risk of damaging the driver.

### Room adaptation

A three-position switch controls the bass response of the speaker depending on the placement of the speaker in the room.

### Thermal protection

The temperature of all driver units is constantly monitored to keep the speaker at top performance all the time.

### Line sense

Auto on/off - for connecting non-Bang & Olufsen equipment.

### Connections

- 2 x Power Link (RJ45)
- 1 x RCA (L/R)
- 1 x TOSLINK
  - in: Sample rate 32k, 44.1k, 48k, 96k/PCM16-24 bit
  - out: Sample rate 48k/PCM 24 bit
- Wireless Power Link